



Sample gas probe GAS 222.31

In many applications gas analysis is the key for safe and efficient control of process flows, environmental protection and quality assurance. In extractive gas analysis the location of the gas sampling point is crucial for the reproducibility and accuracy of the analysis results.

The specific filter capacity, corrosion resistance and functional equipment requirements for the probe arise from the composition of the sample gas.

However, operating costs are also an important criterion in the selection, as the sampling points are frequently located at hard to access points in the system. Effective particle filter backwashing options and low maintenance characterise the extensive GAS probe series.

Heated probe with shut-off valve, upstream filter and weather hood

The probe body and the area around the screw connection for the heated sample gas line are completely isolated

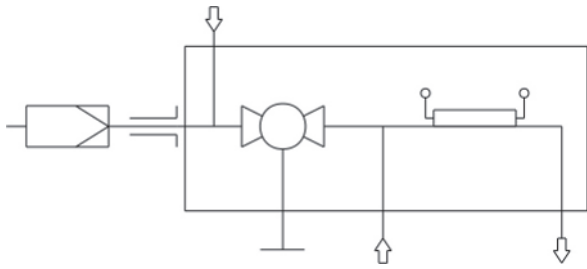
Electronic temperature controller up to 200 °C with low/high temperature alarm and display

For dust loads up to 200 g/m³

This probe is not suitable for use in Ex areas



Flow chart



Technical Data

Gas Probe Technical Data

Probe operating temperature:	max. 200 °C	
Ambient temperature without accessories:	-20 to +80 °C	
Ambient temperature with accessories:	Component	Ambient temperature range
	Compressed air valve:	-10 °C < T _{amb} < +55 °C
	Pneumatic drive:	-20 °C < T _{amb} < +80 °C
	Limit switch:	-20 °C < T _{amb} < +100 °C
	Solenoid valve for pneumatic drive:	-10 °C < T _{amb} < +55 °C
Medium temperature (blowback)	Component	Medium temperature range
	Compressed air valve:	-10 °C to +80 °C
	Solenoid valve for pneumatic drive:	-10 °C to +100 °C
Regulator setting range:	+50 to +200 °C	
Low/high temperature alarm:	Alarm adjustable ±5.....30 K from setpoint, factory preset 15 K Max. switching current 1 A	
Electrical data:	230 V, 2.0 A, 50/60 Hz 115 V, 3.8 A, 50/60 Hz	
IP rating:	IP54	
Max. operating pressure:	6 bar	
Material:	Ball valve 1.4408	
Parts in contact with media:	Flange: 1.4571 Seals: PTFE/graphite/1.4404	

Ordering Instructions

The item number is a code for the configuration of your unit. Please use the following model key:

4622231	0	9	9	0	X	X	X	X	X	X	X	X	X	X	X	Product Characteristics
	0															Flange / approval
																DIN DN65 PN6
																Power supply sample probe
	1															115 V
	2															230 V
																Calibrating gas connection
	0															No calibrating gas connection
	1															6 mm
	2															6 mm + check valve
	3															1/4"
	4															1/4" + check valve
																Connection heated extension
	0															No
	1															Yes
																Built-in temperature controller ¹⁾
	0															No
	1															Yes
																Blowback with air reservoir ²⁾
																Air reservoir heating
	1															Yes
	9															No
																Built-in blowback control ¹⁾
	1															Internal controller
	9															No
																Compressed air valve / valve voltage information
	0															Manual
	1															115 V
	2															230 V
	3															24 V
	9															None (if no blowback requested)
																Pneumatic drive for ball valve
	0															Manual
	1															Monostable pressure-free open
	2															Monostable pressure-free closed
	3															Bi-stable
																Limit switch for pneumatic drive
	1															Yes
	9															No
																Control valve for pneumatic drive
	3															3/2-way valve
	5															5/2 way valve
	9															No control valve

¹⁾ The electronics can either be equipped with temperature controller for heated extension or blowback control

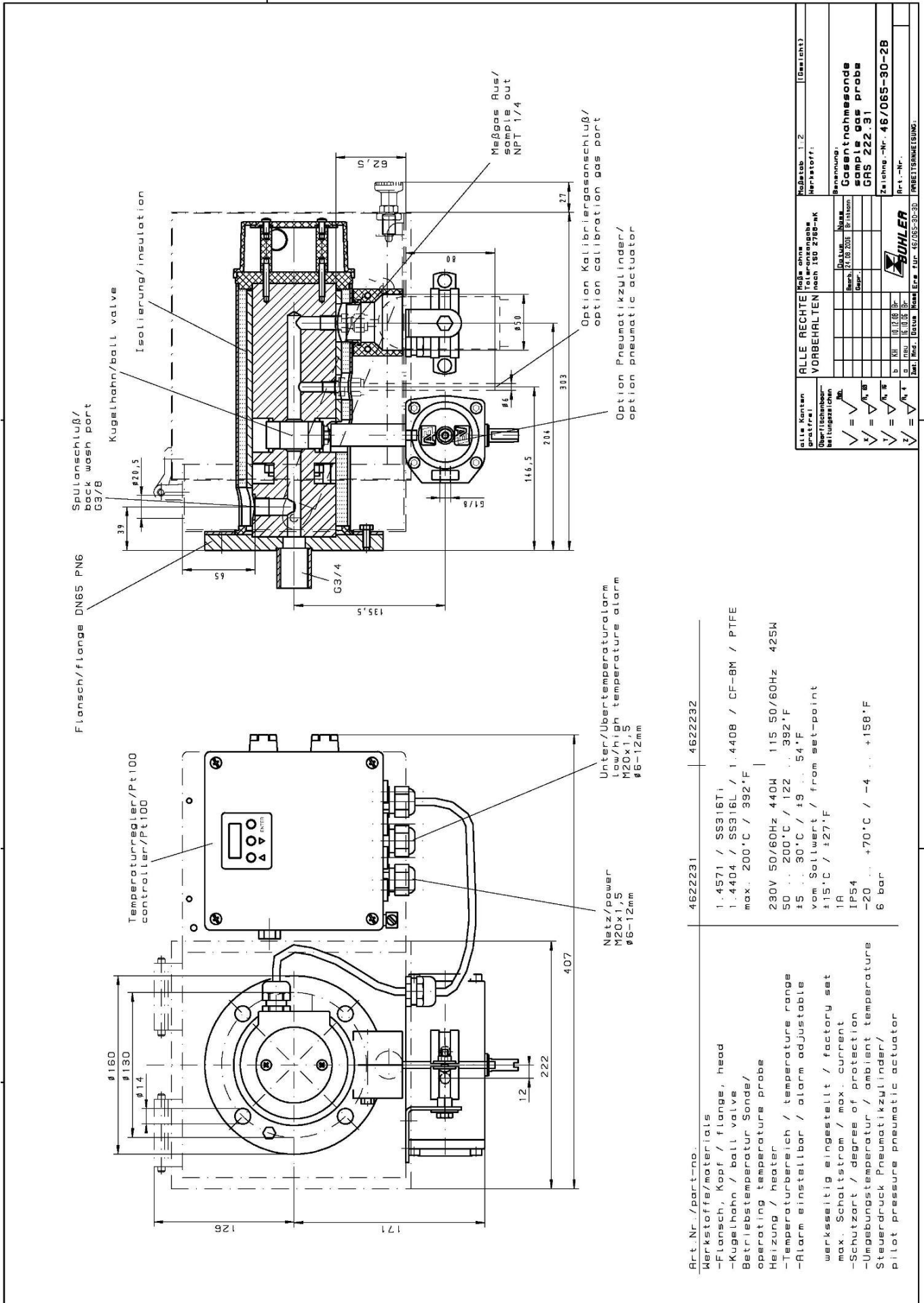
²⁾ For flammable sample gas, always use inert gas for blowback. Probe blowback prohibited when using explosive gases!

Options

The base unit becomes functional by adding accessories suitable for the application. Please refer to accessory data sheet no. 461099 for information.

Please also refer to data sheet no. 461000 "GAS 222 Gas Probes" for a general description.

Dimensions



Art.-Nr./part-no.	4622231	4622232
Werkstoffe/materials	1.4571 / SS316Ti	1.4404 / SS316L / 1.4408 / CF-8M / PTFE
-Flansch, Kopf / flange, head		max. 200°C / 392°F
-Kugelhahn / ball valve		230V 50/60Hz 440V
Betriebstemperatur Sonde/ operating temperature probe	50 ... 200°C / 122 ... 392°F	115 50/60Hz 425W
Heizung / heater	±5 ... 30°C / ±9 ... 54°F	
-Temperaturbereich / temperature range	vom Sollwert / from set-point	
-Alarm einstellbar / alarm adjustable	±15°C / ±27°F	
werkseitig eingestellt / factory set	IP54	
max. Schaltstrom / max. current	-20 ... +70°C / -4 ... +158°F	
-Schutzart / degree of protection	6 bar	
-Umgebungs-temperatur / ambient temperature		
Steuerdruck Pneumatikzylinder/ pilot pressure pneumatic actuator		

ALLE RECHTEN VORBEHALTEN	Alle ohne Gewähr nach ISO 9001:2008	Maßstab 1:2	(Draht)
Überfächer- unterschieden	Druck: max. 6 bar	Hersteller:	
✓ = ✓	Druck: max. 6 bar	Benennung:	Gasentnahms- sonde sample gas probe GAS 222.31
✓ = ✓	Druck: max. 6 bar	Zeichn.-Nr.:	467065-30-28
✓ = ✓	Druck: max. 6 bar	Prüf.-Nr.:	
✓ = ✓	Druck: max. 6 bar	ARBEITSSCHÜSS:	