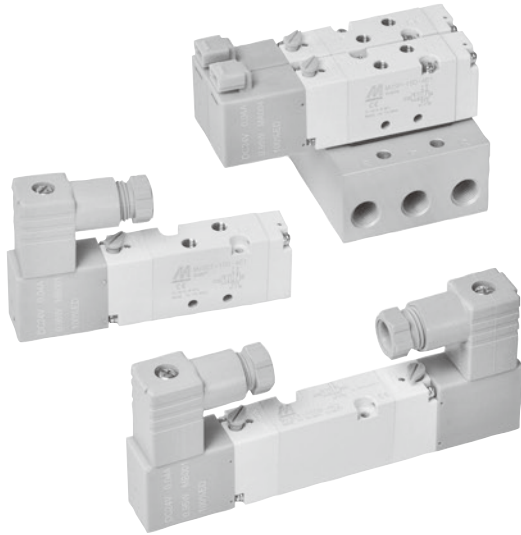


MVSC1-150 series

SOLENOID VALVE



mindman



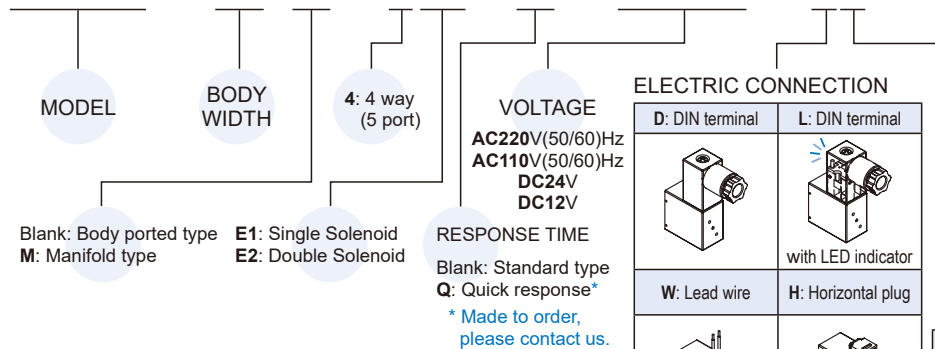
Specification

Model		4E1	4E2
Port size		M5×0.8	
No. of port		5	
No. of position		2	
Medium		Air	
Operating pressure range		0.15~0.8 MPa	
Proof pressure		1 MPa	
Effective orifice		3.8 mm ²	
Response time	Standard	AC < 35 ms, DC < 23 ms	
	Quick response*	AC < 30 ms, DC < 18 ms	
Power consumption	Standard	AC=1.12VA, DC=0.95W	
	Quick response*	AC=2.5VA, DC=2.5W	
Ambient temperature		-5~+50°C (No freezing)	
Voltage		AC110V, 220V (50/60)Hz, DC24V/12V	
Available voltage range		±10%	
Insulation class		F class	
Weight		73 g	108 g

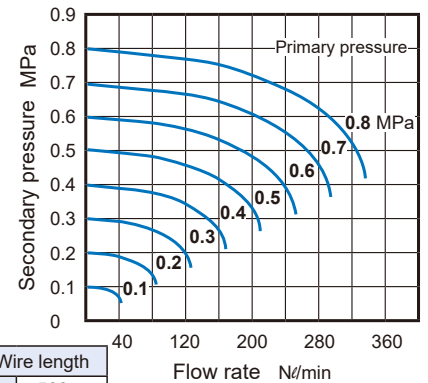
* For quick response type, it cannot be energized for more than 30 minutes.

Order example of valve

MVSC1 – 150M – 4E2 – □ – AC110 – H1

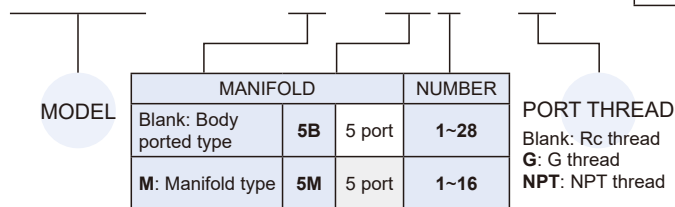


Flow features



Order example of manifold

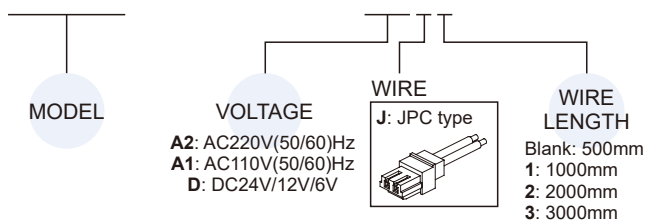
MVSC1 – 150M – 5B3 – G



* Starting from 11 stations, manifolds are made to order.

Order example of wire

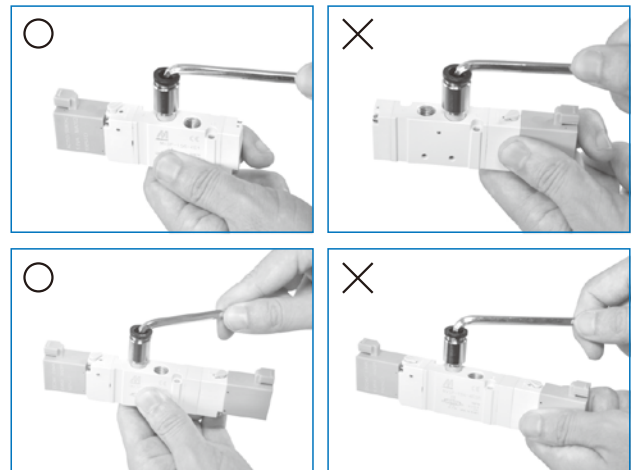
MVDY – 100 – WA2J2



* Use the same wire with MVDY.
* Only for "H: Horizontal plug".

Caution

Prohibit apply force to coil when tighten the tube fitting.

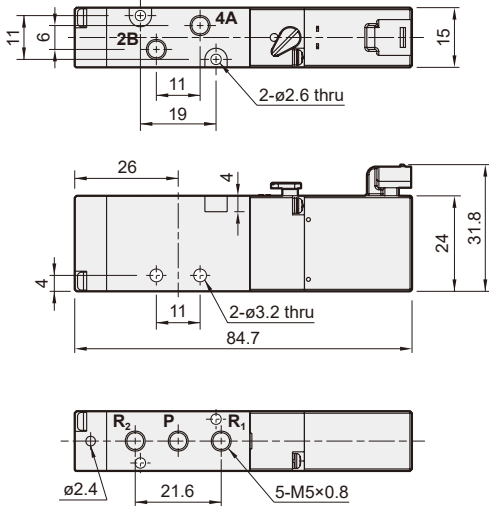
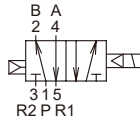


MVSC1-150 Dimensions

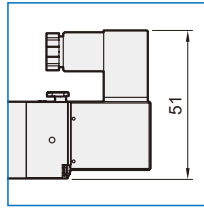
SOLENOID VALVE



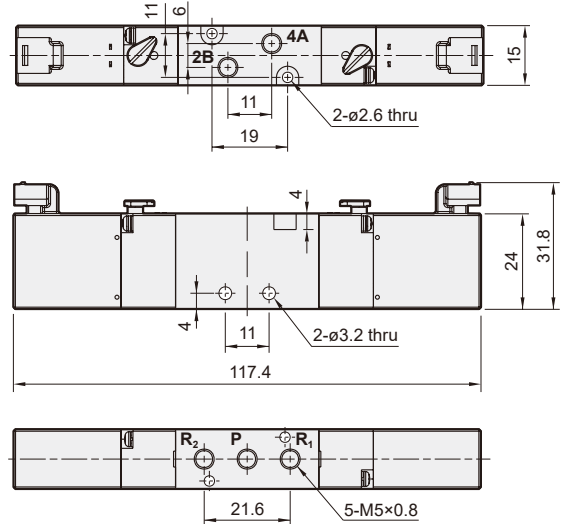
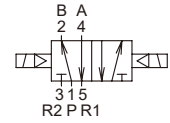
MVSC1-150-4E1



DIN terminal /
DIN terminal with
LED indicator

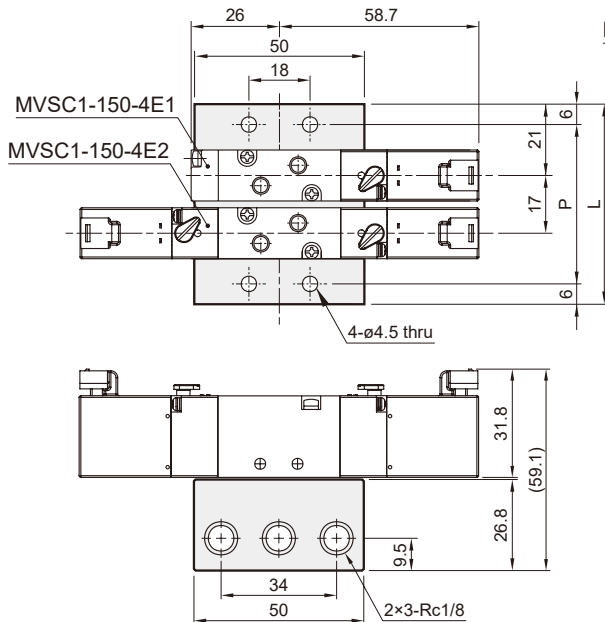


MVSC1-150-4E2



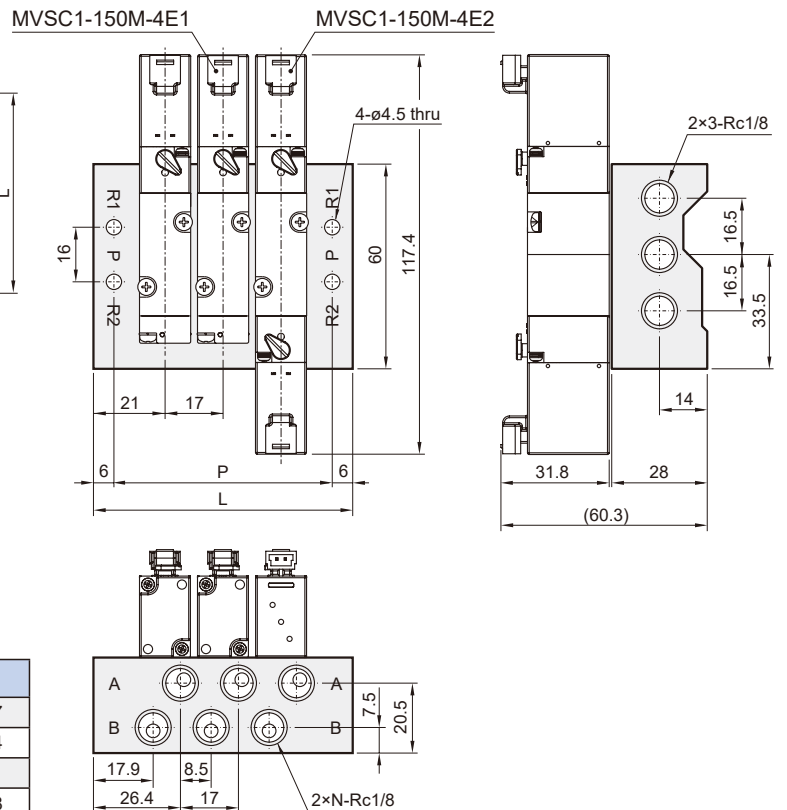
MVSC1-150-5B*

5 port (for body ported type)



MVSC1-150M-5M*

5 port (for manifold type)



No. of stations	P	L	No. of stations	P	L
1	30	42	6	115	127
2	47	59	7	132	144
3	64	76	8	149	161
4	81	93	9	166	178
5	98	110	10	183	195

P: (No. of stations-1)×17+30
L: (No. of stations-1)×17+42