

2017/8/25

MVSP-150 / MVSP-180 Solenoid Valve Renamed Notification

Thanks for your continuous support for Mindman products.

MVSP-150 / MVSP-180 solenoid valves will have following changes.

Sorry for any potential inconvenience and thank you for the cooperation.


1. Product Series

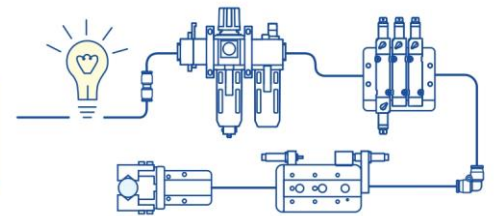
MVSP-150 / MVSP-180 Solenoid Valve

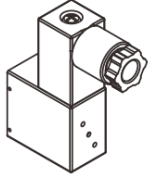
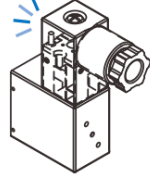
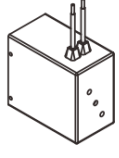
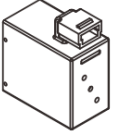
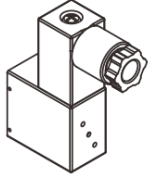
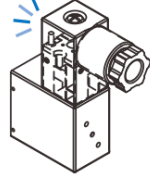
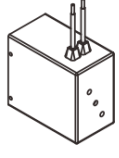
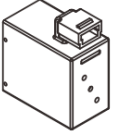
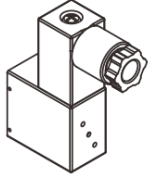
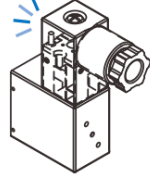
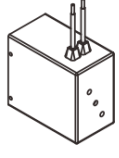
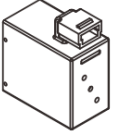
2. Design Change Reason

To simplify product lines, MVSP-150 / MVSP-180 will be renamed as MVSC1-150/MVSC1-180.

3. Specification of MVSC1-150 / MVSC1-180

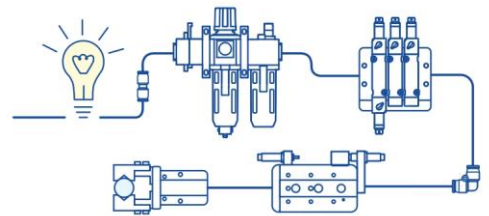
	MVSC1-150	MVSC1-180
Appearance		
Effective Orifice	Body Ported type : 11~14.6 mm ² Manifold type : 10~13 mm ²	9~15 mm ²
Response time	30ms	30ms
Operating pressure	0.15~0.7MPa	0.15~0.8MPa
Coil Features	<ol style="list-style-type: none"> 1. Low current and power consumption. 2. Coil fixed by PIN. 3. Bridge rectifier design : Converting AC to DC voltage without operating noise. 4. Low ambient temperature when operating. 5. Manual override design, easier to test. 6. Low power output PLC can drive solenoid valve directly. 	



Connector type	<ol style="list-style-type: none"> 1. DIN connector 2. DIN connector with LED indicator 3. Lead Wire 4. Horizontal connector DIN 	<table border="1"> <tr> <td data-bbox="954 353 1168 412">D: DIN connector</td> <td data-bbox="1168 353 1385 412">L: DIN connector with LED indicator</td> </tr> <tr> <td data-bbox="954 412 1168 618"></td> <td data-bbox="1168 412 1385 618"></td> </tr> <tr> <td data-bbox="954 618 1168 676">W: Lead wire</td> <td data-bbox="1168 618 1385 676">H: Horizontal connector</td> </tr> <tr> <td data-bbox="954 676 1168 891"></td> <td data-bbox="1168 676 1385 891"></td> </tr> </table>	D: DIN connector	L: DIN connector with LED indicator			W: Lead wire	H: Horizontal connector		
D: DIN connector	L: DIN connector with LED indicator									
										
W: Lead wire	H: Horizontal connector									
										
Voltage	DC : 12V 、 24V AC : 110V 、 220V									
Power Consumption	DC : 0.95W AC110V/ AC220V : 1.12VA									

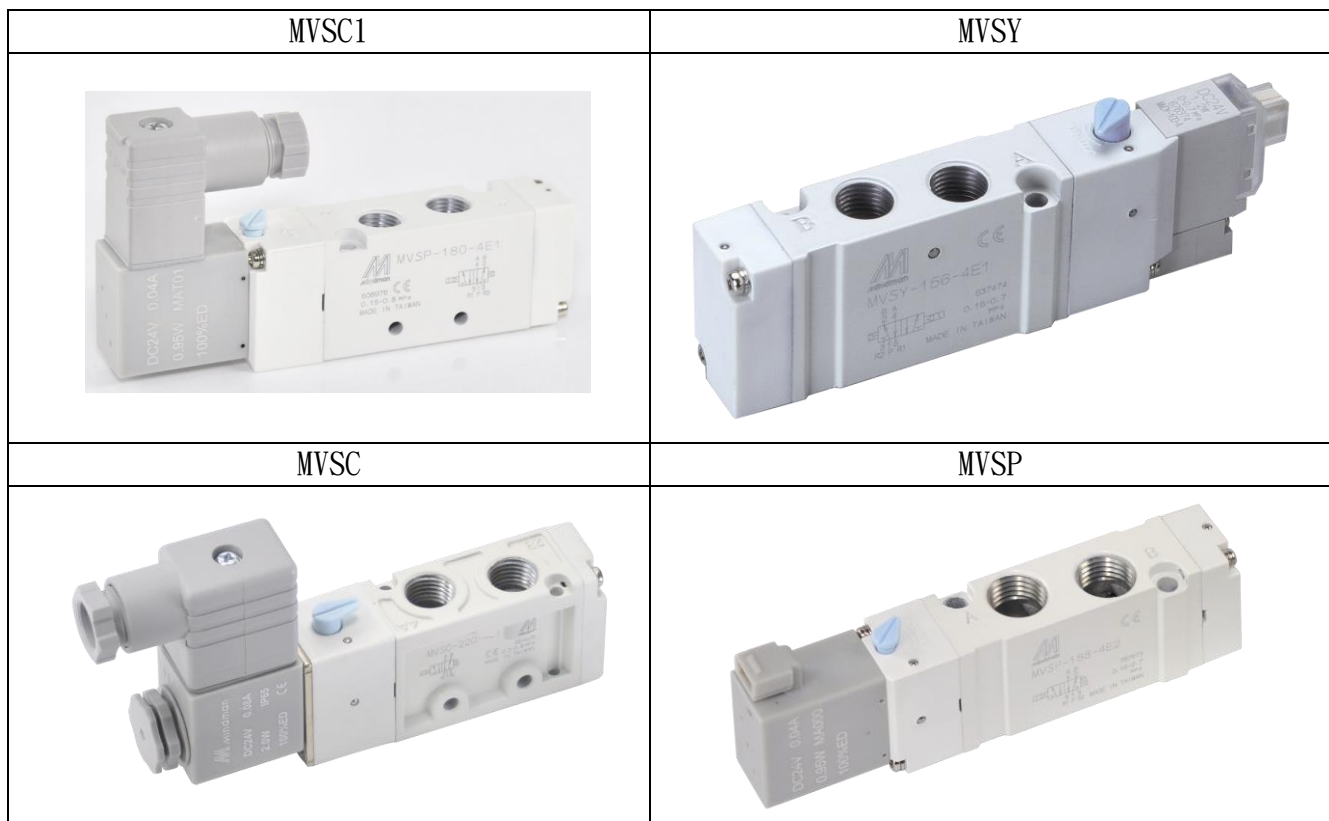
4. Effective Date

From Dec. 2017, MVSP-150/MVSP-180 will be renamed as MVSC1-150/MVSC1-180.



5. Mindman Solenoid Valve line

Solenoid Valve					
Model	Body Width	Port size	Model	Body Width	Port size
MVSC1 (15mm Coil)	150	M5	MVSY	100	M5
	180	1/8		156	1/8
	15mm Coil			188	1/4
		10mm Coil			
MVSC	220	1/4	Alternative to SMC-SY		
	260	1/4	156	1/8	
	300	3/8	188	1/4	
	460	1/2	15mm Coil		
			MVSP (Economic line)	1. Closed coil design with dirt resistance; can be applied to general industries.	
				2. Prices are more competitive than MVSY.	



6. Others

If there is any question, please contact our sales department.